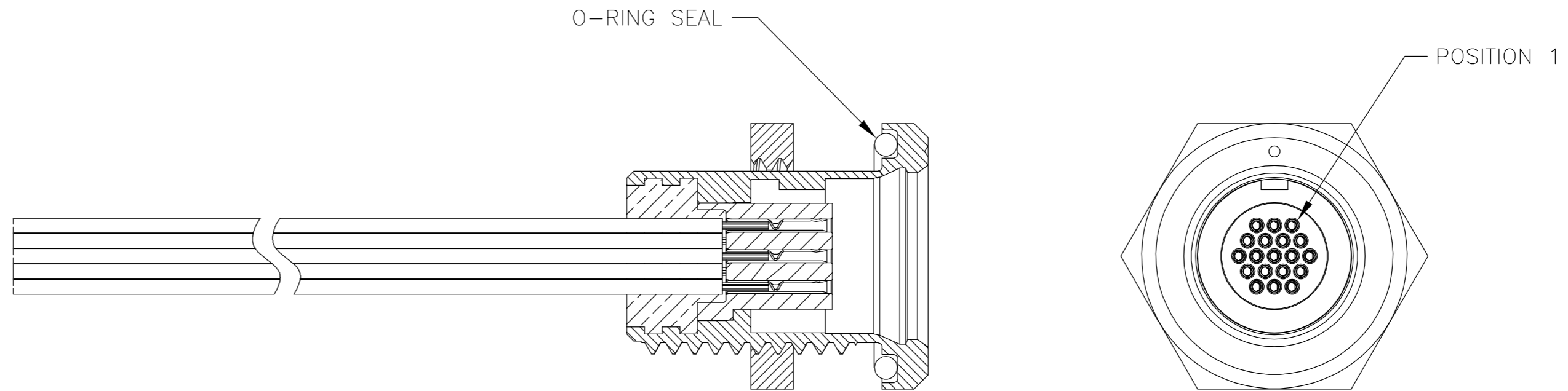
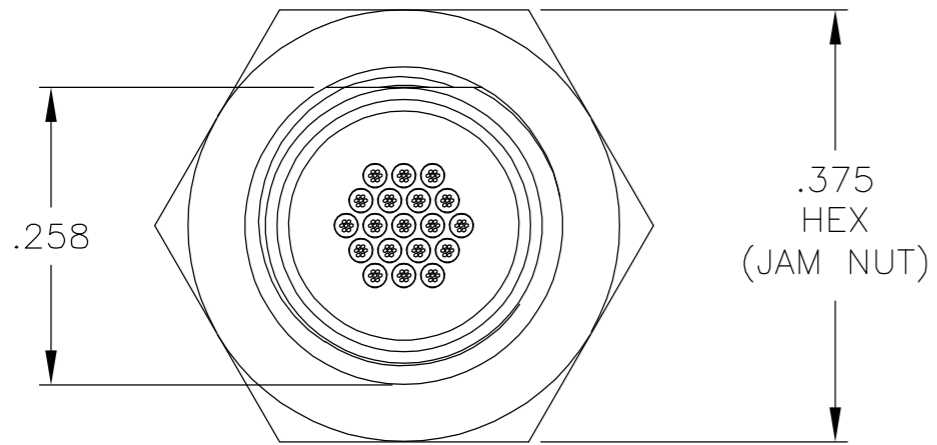
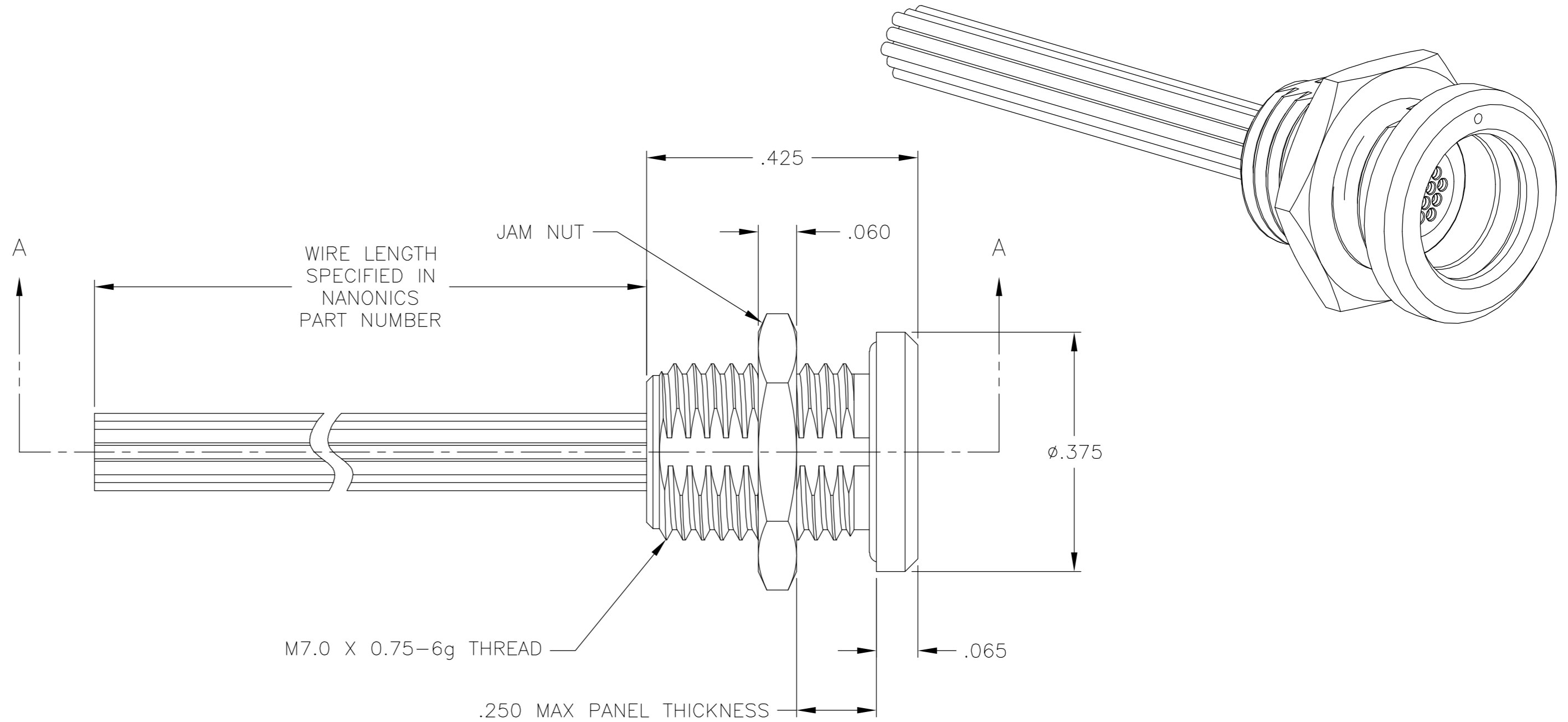
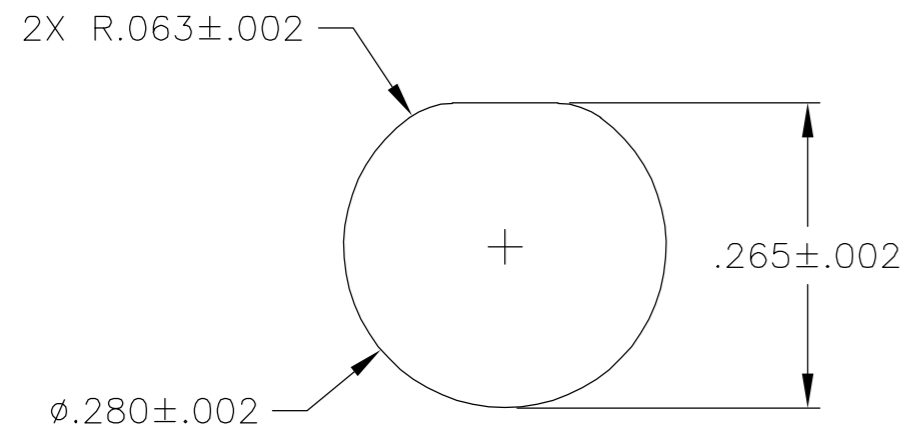


THIS DRAWING IS UNPUBLISHED. RELEASED FOR PUBLICATION
 © COPYRIGHT BY TYCO ELECTRONICS CORPORATION. ALL RIGHTS RESERVED.

LOC	DIST	REVISIONS					
DF	DO	P	LTR	DESCRIPTION	DATE	DWN	APVD
		E		UPDATE PER 0H2Y-0164-04	12 MAY 04	CAS	MKS

SUGGESTED PANEL CUT-OUT



SECTION A-A

- CONNECTOR BODY AND JAM NUT MATERIAL: 6061-T6 ALUMINUM, ELECTROLESS NICKEL PLATED PER MIL-C-26074
 INSULATOR MATERIAL: LIQUID CRYSTAL POLYMER (LCP) PER MIL-M-24519 OR PER ASTM D5138
 O-RING MATERIAL: FLUOROSILICONE
- WIRE TERMINATION: 28 AWG SOLID, 30 AWG STRANDED WIRE OR SMALLER
- THIS DRAWING PREVIOUSLY IDENTIFIED AS NANONICS 303-0026

THIS DRAWING IS A CONTROLLED DOCUMENT.		DWN M. STORRY 5 MAY 99	 Tyco Electronics Corporation Harrisburg, PA 17105																	
DIMENSIONS: INCHES		CHK E. PAULUS 7 MAY 99																		
TOLERANCES UNLESS OTHERWISE SPECIFIED:		APVD S. KAIN 26 JAN 00																		
<table border="1"> <tr><td>0 PLC</td><td>±</td><td>-</td></tr> <tr><td>1 PLC</td><td>±</td><td>-</td></tr> <tr><td>2 PLC</td><td>±</td><td>.010</td></tr> <tr><td>3 PLC</td><td>±</td><td>.005</td></tr> <tr><td>4 PLC</td><td>±</td><td>-</td></tr> <tr><td>ANGLES</td><td></td><td>± 1°</td></tr> </table>		0 PLC		±	-	1 PLC	±	-	2 PLC	±	.010	3 PLC	±	.005	4 PLC	±	-	ANGLES		± 1°
0 PLC	±	-																		
1 PLC	±	-																		
2 PLC	±	.010																		
3 PLC	±	.005																		
4 PLC	±	-																		
ANGLES		± 1°																		
MATERIAL SEE NOTES		FINISH SEE NOTES	PRODUCT SPEC APPLICATION SPEC																	
		WEIGHT -	SIZE A2																	
		CUSTOMER DRAWING	CAGE CODE 00779																	
		SCALE 6:1	DRAWING NO C=1589058																	
		SHEET 1 OF 1	RESTRICTED TO -																	
		REV E																		